



Front Line Tourers

'The Australian Emergency Services Motorcycle Touring Club Inc'
Melbourne, Victoria ---- Founding Chapter.



PO Box 2460 Rowville, 3178 FLT Hotline 0429 0 FLTMC
www.frontlinetourers.com



Day Ride #174 – Friday 8th August, 2008.



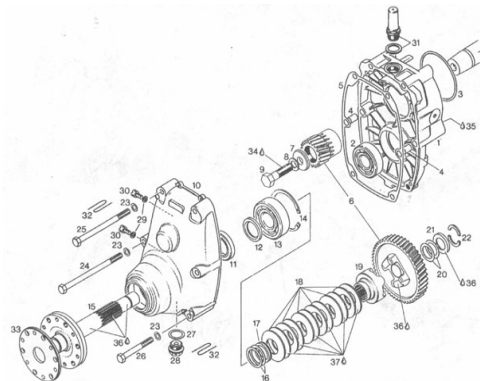
First, Second - Fourth, Fifth

In between second and fourth there used to be the fantastic gear of THIRD. But as the GS gets older, much like the old and infirm - third gear has become like a pair of false teeth - falling in and out at like a pensioners dentures during a tongue twister.

So because third gear cant be fixed by adding streradent – it will lead the next ride with the other four gears doing all the work. Yes, in case your wondering - it only had five to start with!

We will head off from Bayswater and out in the north before making our way down to the Black Spur Inn at Narbethong, before the ride heads home through the Black Spur to Lilydale.

Departure Time: 0930 hrs
Distance: Approx. 300 km's
Ride Captain: Ian Marr
Start Location: Bayswater McDonalds
Canterbury Road 64A2
Dinner: [Black Spur Inn Hotel](#)
Return Time: Lilydale about 3pm
Ride Rating: Medium!
Road Conditions: Sealed Bitumen



Ride \$5 for non members

Next Ride: - Club Ride Friday 19th September – Narre Warren .

'Work Together, Ride Together'

